

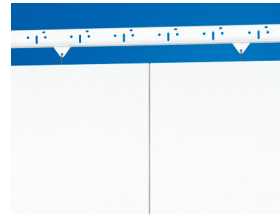


ECOPHON HYGIENE FOODTEC™ Baffle C3



Ecophon Hygiene Foodtec Baffle C3 is an open system with vertical baffles intended for use in environment where there is risk of contamination, and where frequent cleaning is required. This system is recommended where humidity levels are occasionally high. It is used mainly in premises where it is not possible to install a wall to wall ceiling because of sprinkler systems, installations or skylights, etc. Examples of applications: the food and beverage industries, restaurants and catering.

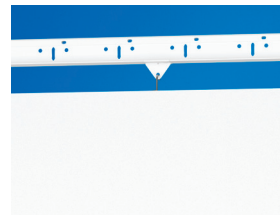
The system consists of Ecophon Hygiene Foodtec Baffles, which have a core of high density glass wool and a painted stain protected Akutex HS surface both sides. The edges are painted. The supporting structure is a corrosion protected exposed Connect T24 C3 grid of lacquered galvanised steel. The weight of the system is 3-4 kg/m².



Hygiene Foodtec Baffle C3 in rows



Hygiene Foodtec Baffle C3 in chequered pattern



Hygiene Foodtec Baffle C3 with Connect Baffle clip



Hygiene Foodtec Baffle

SYSTEM RANGE

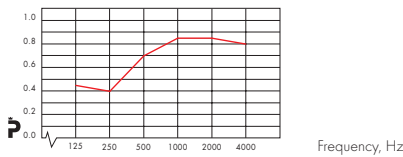
Size, mm	1200 x 600
T24	•
Thickness	50
Inst. Diagr.	M263, M264

TECHNICAL PROPERTIES

ACOUSTIC Sound Absorption Test results according to EN ISO 354:2003

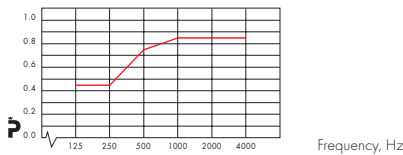
Note: Results shown are not comparable with results according to older versions of this standard due to discrepancies in test method. Classification according to EN ISO 11654, and the single value ratings for NRC and SAA according to ASTM C 423.

α_p Practical sound absorption coefficient



Hygiene Foodtec Baffle C3 in rows, c 600 mm, with ~1,4 baffles per m² of ceiling area

α_p Practical sound absorption coefficient



Hygiene Foodtec Baffle C3 in chequered pattern, with ~1,3 baffles per m² of ceiling area

Product	Hygiene Foodtec Baffle C3 in rows, c 600 mm, with ~1,4 baffles per m ² of ceiling area	Hygiene Foodtec Baffle C3 in chequered pattern, with ~1,3 baffles per m ² of ceiling area
o.d.s mm	-	-
absorption class	C	C
α_{wv}		

Sound Insulation Not applicable.

Sound Privacy Not applicable



ACCESSIBILITY The tiles are demountable.



CLEANABILITY Daily dusting and vacuum cleaning. Weekly wet wiping on all surfaces, high-pressure washing and wet cleaning twice a year (water temperature max. 35 °C). Steam cleaning four times/year. Can withstand the use of common disinfecting chemicals.



VISUAL APPEARANCE White 500, nearest NCS colour sample S 0500-N, 84% light reflectance.



INFLUENCE OF CLIMATE The tiles withstand a permanent ambient RH up to 95% at 30 °C without sagging, warping or delaminating (ISO 4611). A higher temperature/moisture is permissible during washing as stated above. The grid and accessories meet the demands of corrosion class C3 according to EN ISO 12944-2. For the microbiological resistance see Functional demands, Influence of climate.



INDOOR CLIMATE Certified by the Indoor Climate Labelling, emission class M1 for building materials, recommended by the Swedish Asthma and Allergy Association, and can be used in rooms classified as ISO class 5 according to ISO 14644-1.



ENVIRONMENTAL INFLUENCE Granted the Nordic Swan eco-label. Fully recyclable.



FIRE SAFETY The glass wool core of the tiles is tested and classified as non-combustible according to EN ISO 1182. See Functional demands, Fire safety.

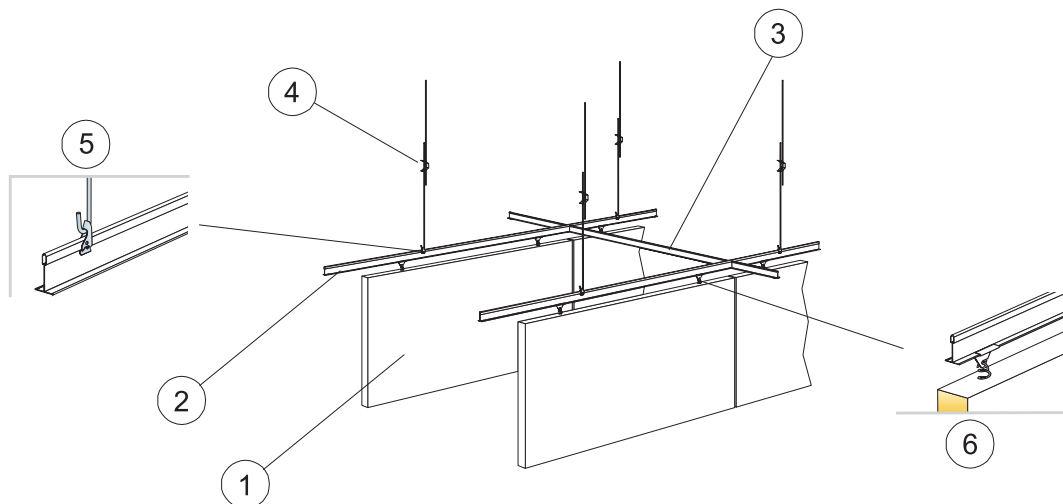
Reaction-to-fire classification

Country	Standard	Class
Europe	EN 13501-1	A2s1,d0



MECHANICAL PROPERTIES For information regarding live load and requirements for load bearing capacity, see installation diagrams. Conditions: See Functional demands, Mechanical properties.

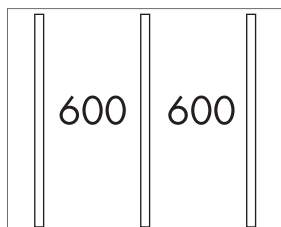
INSTALLATION DIAGRAM (M263) FOR ECOPHON HYGIENE FOODTEC Baffle C3 (IN ROWS)



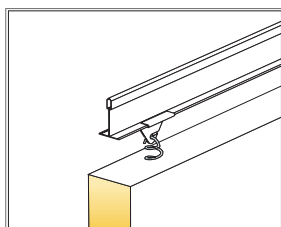
© Ecophon Group

QUANTITY SPECIFICATION (EXCL. WASTAGE)

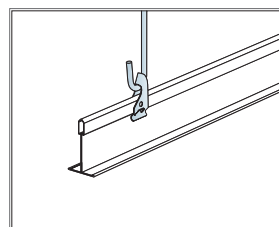
		Size, mm
		1200x600
1	Ecophon Hygiene Foodtec Baffle	1,4/m ²
2	Connect T24 Main runner C3, installed at 600 mm centres	1,7m/m ²
3	Connect T24 Cross tee C3, L=600 mm, installed at 1800 mm centres	0,6m/m ²
4	Connect Adjustable hanger C3	1,4/m ²
5	Connect Hanger clip	1,4/m ²
6	Connect Baffle clip C3	2,8/m ²



Installation in rows



Detail of suspension

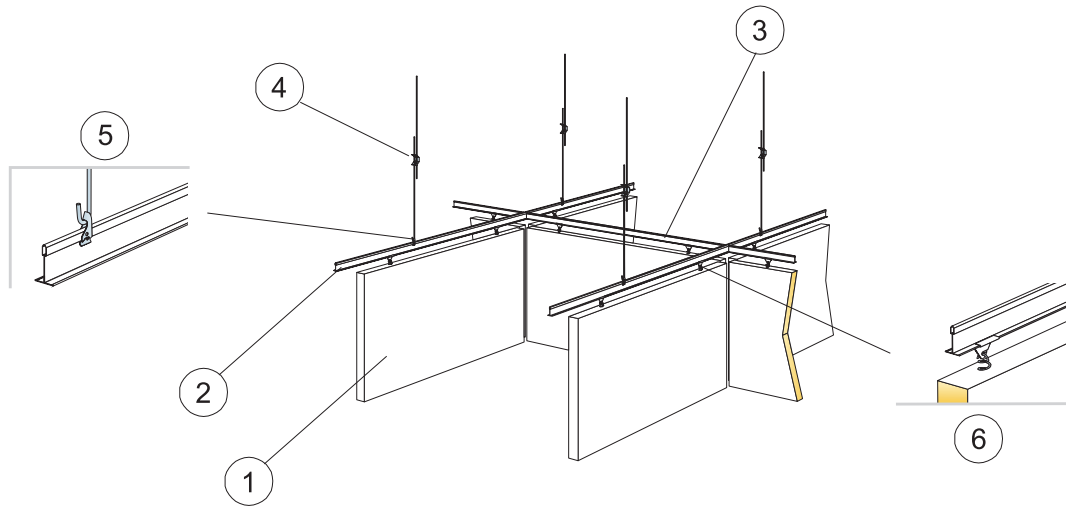


Suspension with adjustable hanger and clip

Size, mm	Max live load [N]	Min load bearing capacity [N]
1200x600	0	160

Live load/load bearing capacity

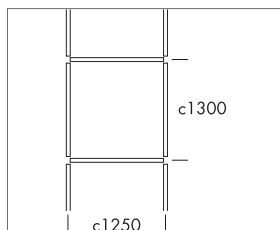
INSTALLATION DIAGRAM (M264) FOR ECOPHON HYGIENE FOODTEC BAFFLE C3 (IN CHEQUERED PATTERN)



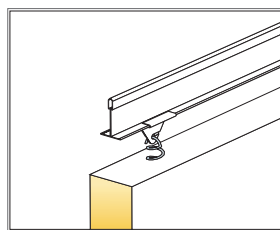
© Ecophon Group

QUANTITY SPECIFICATION (EXCL. WASTAGE)

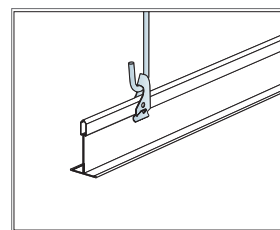
		Size, mm
		1200x600
1	Ecophon Hygiene Foodtec Baffle	1,3/m ²
2	Connect T24 Main runner C3, installed at 1250 mm centres	0,8m/m ²
3	Connect T24 Cross tee C3, L=1250 mm, installed at 1300 mm centres	0,8m/m ²
4	Connect Adjustable hanger C3	0,7/m ²
5	Connect Hanger clip	0,7/m ²
6	Connect Baffle clip C3	2,5/m ²



Installation in chequered pattern



Detail of suspension



Suspension with adjustable hanger and clip

Size, mm	Max live load [N]	Min load bearing capacity [N]
1200x600	0	160

Live load/load bearing capacity